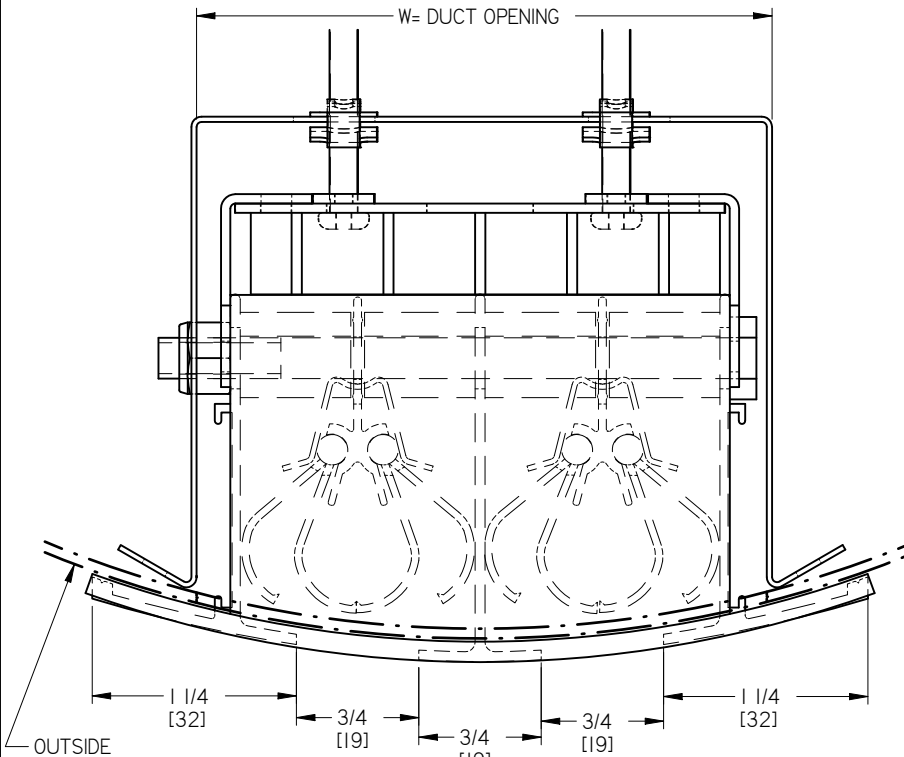


SDS/SDR75 TYPE 16



OUTSIDE DIAMETER DUCT

LENGTH SELECTION:

- 24" (610)
- 36" (914)
- 48" (1219)
- 60" (1524)
- 72" (1829)

MATERIAL:

- EXTRUDED ALUMINUM

FINISH:

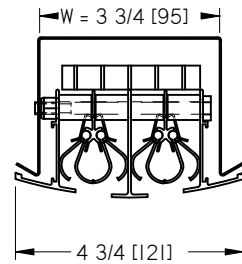
- PATTERN CONTROLLER B17 (BLACK)
- DIFFUSER FACE B12 (WHITE)
- OPTIONAL FINISHES AVAILABLE

NOTES:

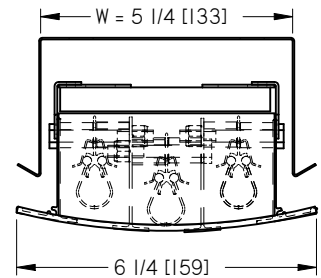
- MAXIMUM SECTION LENGTH = 72" (1829) DIFFUSERS LONGER THAN 72" (1829) WILL BE SUPPLIED IN SECTIONS.
- FACTORY TOLERANCE +/- 0.031" (1)
- WW END CAPS
- SEE INSTALLATION INSTRUCTION I100047

| DUCT DIAMETER CHART | | |
|---------------------|--------|--------|
| 2 SLOT | 3 SLOT | 4 SLOT |
| 8 | / | / |
| 12 | 12 | / |
| 16 | 16 | 16 |
| 20 | 20 | 20 |
| 24 | 24 | 24 |

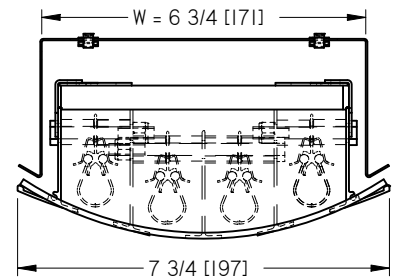
2 SLOT



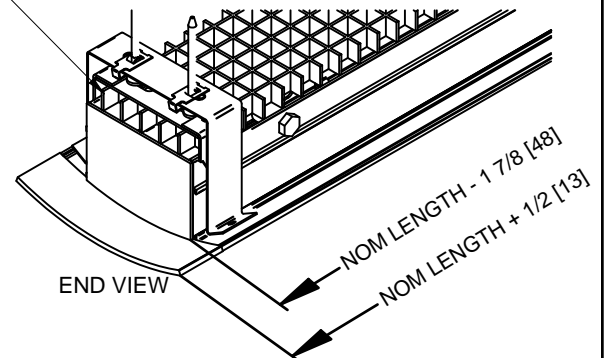
3 SLOT



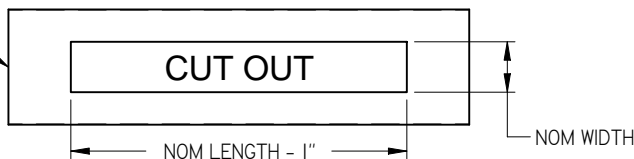
4 SLOT



EQUALIZING GRID STANDARD



ROUND SPIRAL DUCT



ALL METRIC DIMENSIONS () ARE SOFT CONVERTED. IMPERIAL DIMENSIONS ARE CONVERTED TO METRIC AND ROUNDED TO THE NEAREST MILLIMETER.

PROJECT:

ENGINEER:

CUSTOMER:

SUBMITTAL DATE:

SPEC. SYMBOL:

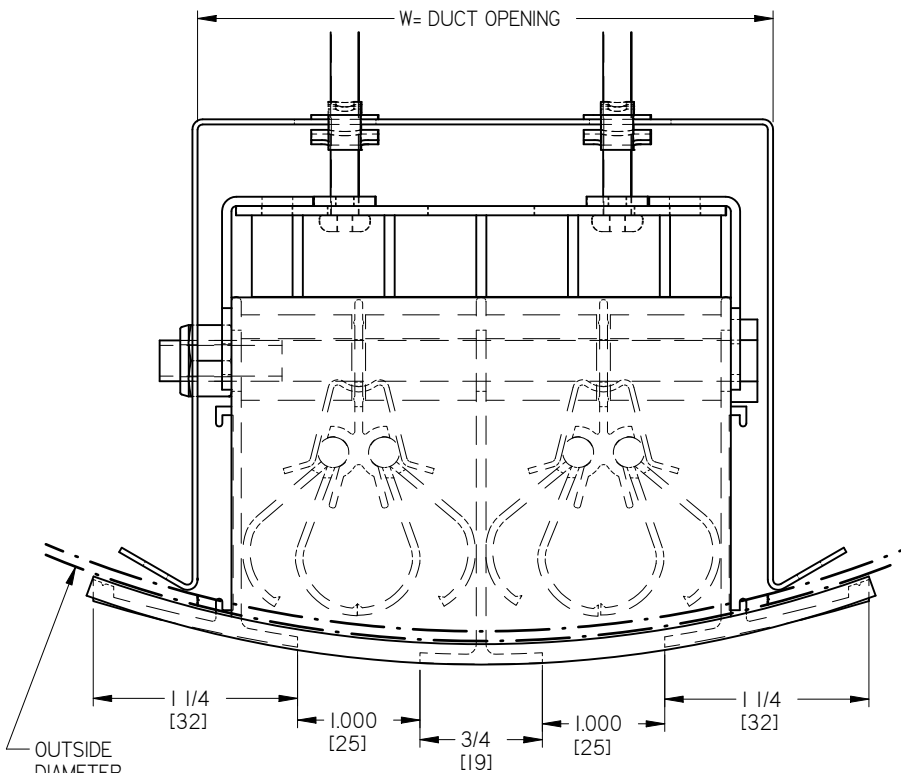


MG
251158

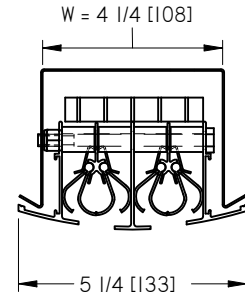
**SDS/SDR75
TYPE 16
2, 3, & 4 SLOT**

2014/09/25

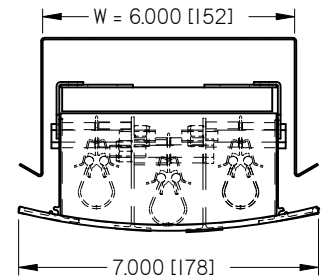
SDS/SDR100 TYPE 16



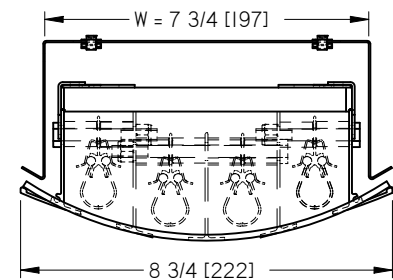
2 SLOT



3 SLOT



4 SLOT



LENGTH SELECTION:

- 24" (610)
- 36" (914)
- 48" (1219)
- 60" (1524)
- 72" (1829)

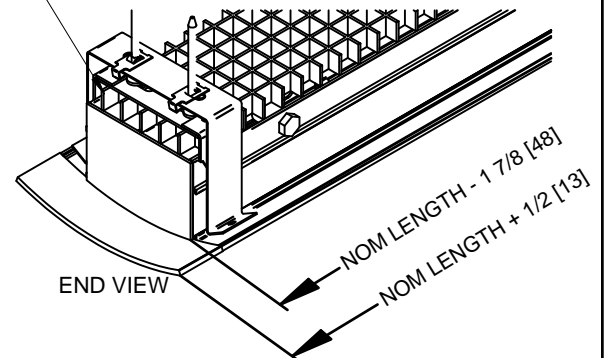
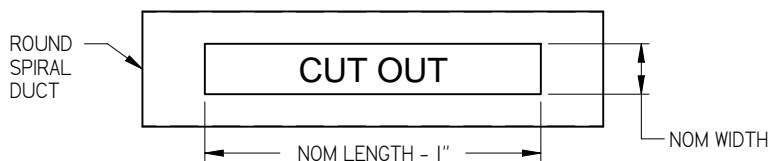
| DUCT DIAMETER CHART | | |
|---------------------|--------|--------|
| 2 SLOT | 3 SLOT | 4 SLOT |
| 8 | / | / |
| 12 | 12 | / |
| 16 | 16 | 16 |
| 20 | 20 | 20 |
| 24 | 24 | 24 |

MATERIAL:
• EXTRUDED ALUMINUM

FINISH:
- PATTERN CONTROLLER B17 (BLACK)
 DIFFUSER FACE B12 (WHITE)
 OPTIONAL FINISHES AVAILABLE

NOTES:
• MAXIMUM SECTION LENGTH = 72" (1829) DIFFUSERS LONGER THAN 72" (1829) WILL BE SUPPLIED IN SECTIONS.
• FACTORY TOLERANCE +/- 0.031" (1)
• WW END CAPS
• SEE INSTALLATION INSTRUCTION II00047

EQUALIZING GRID STANDARD



ALL METRIC DIMENSIONS () ARE SOFT CONVERTED. IMPERIAL DIMENSIONS ARE CONVERTED TO METRIC AND ROUNDED TO THE NEAREST MILLIMETER.

PROJECT:

ENGINEER:

CUSTOMER:

SUBMITTAL DATE:

SPEC. SYMBOL:

| | |
|--------------|----------------|
| PRICE | |
| <i>MJ</i> | SDS/SDR100 |
| 254159 | TYPE 16 |
| 2014/09/25 | 2, 3, & 4 SLOT |